

MWV SERIES HORIZONTAL VESSELS

Microwave Vessel Heating & Drying Systems



WAVEMIX
A MARION SOLUTION

IDEAL FOR **HEATING** LIQUID
OR **DRYING** POWDERS

Simple Efficient Precise Flexible

AMTek teamed up with Marion Process Solutions to combine two time-tested technologies, industrial microwaves and horizontal mixing, into one innovative system.

Utilizing microwave energy as the heat source, **WAVEMIX** generates an agitated bed of product allowing for shorter processing time, uniform material temperature and the flexibility to operate under pressure, vacuum, and/or nitrogen blanket.

WAVEMIX is ideal for powder drying, removal of solvents, microbial reduction, low temperature drying, change of state, and finish drying.

When combined with our PLC controls package you are in complete control of the heating profile required to achieve outstanding results batch after batch.

Agitation

Microwaving a fluid bed of product ensures a high total efficiency of energy while eliminating burning and case hardening of the material.



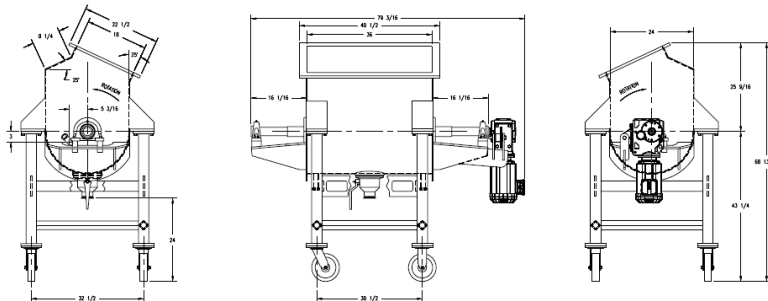
Sanitation

The system is constructed of stainless steel and rated for full washdown.



FLEXIBLE INSTALLATION CUSTOM DESIGN

AMTek takes your installation requirements and provides a complete system layout, detailing vessel location, utility requirements, and location within your facility. We can integrate optional add-on equipment into your design and layout as well.



We know how important it is for your system to be up and running at all times. For that very reason, AMTek carries a full line of spare parts for all your microwave system needs. You will find that we are determined to provide you with the parts you need, when you need them.